

# BioCel<sup>®</sup>/AstroCel<sup>®</sup> V EX

## HIGH EFFICIENCY COMPACT FILTER FOR EXPLOSION HAZARD ZONES



### Features and Benefits

- Classification E10 - H14 acc. to EN1822
- High filter efficiency up to >99,995%
- Large filter area leading to low pressure drop
- Lightweight and easy to install
- Water repellent filter media
- Required ATEX documentation supplied with filters
- Grounding cables and fastening hardware provided with each filter

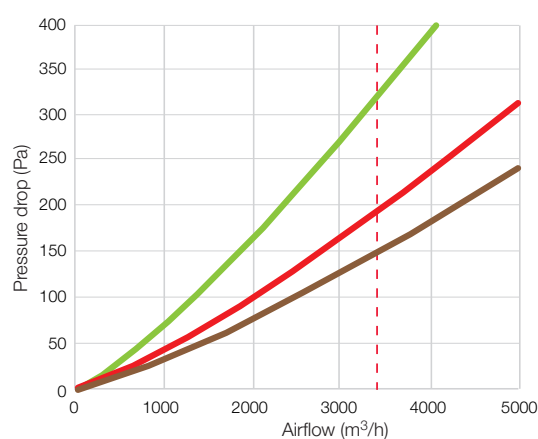
### Applications

The BioCel V EX and AstroCel V EX air filters provide directive-compliant safety over the entire range of ATEX hazardous zones. Combined with high filtration efficiency the BioCel V EX and AstroCel V EX air filters are ideally suited for use in potentially explosive environments where high filtration efficiency is required.

### Configurations

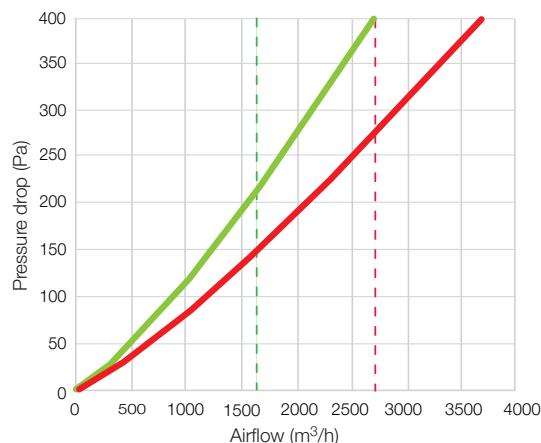
<b>Filter media</b>	Glass fibre
<b>Pack design</b>	Mini-pleat V-shape
<b>Separator</b>	Hot-melt
<b>Gasket (optional)</b>	Polyurethane foamed endless gasket
<b>Header</b>	Lightweight plastic frames made of electrically dissipative plastic
<b>Max. operating temperature</b>	80 °C
<b>Recom. final pressure drop</b>	Subject to optimization of lifecycle costs, max 450 Pa
<b>Recom. airflow range</b>	75% - 100% (of nominal airflow)
<b>Moisture resistance</b>	100% relative humidity

### Performance BioCel V EX



- BioCel V EX E12 592x592x296
- BioCel V EX E11 592x592x296
- BioCel V EX E10 592x592x296
- - - Nominal Airflow

### Performance AstroCel V EX



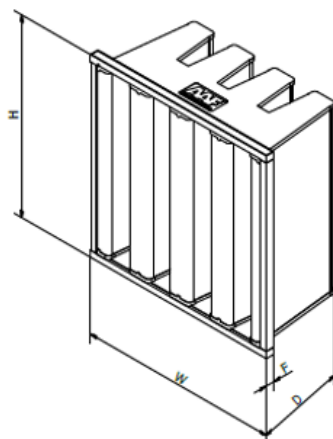
- AstroCel V EX H14 592x592x298
- - - Nominal Airflow
- AstroCel V EX H13 592x592x298
- - - Nominal Airflow



Bringing clean air to life.™

# BioCel<sup>®</sup>/AstroCel<sup>®</sup> V EX

**HIGH EFFICIENCY COMPACT FILTER FOR EXPLOSION HAZARD ZONES**



## Technical data

Filter name	Dimensions (mm) W x H x D	Filter area (m <sup>2</sup> )	Number of V's	Initial dp @ nominal airflow (Pa)	Nominal airflow (m <sup>3</sup> /h)	Ex protection characterization according 2014/34/EU	Filter Class EN1822
BioCel V EX-E10	592x592x296	20	4	150	3400	II 1G Ex h IIC Ga II 1D Ex h IIIB Da	E10
BioCel V EX-E11	592x592x296	20	4	195	3400	II 1G Ex h IIC Ga II 1D Ex h IIIB Da	E11
BioCel V EX-E12	592x592x296	20	4	320	3400	II 1G Ex h IIC Ga II 1D Ex h IIIB Da	E12
AstroCel V EX-H13	592x592x298	28	4	275	2700	II 1G Ex h IIC Ga II 1D Ex h IIIB Da	H13
AstroCel V EX-H14	592x592x298	28	4	210	1600	II 1G Ex h IIC Ga II 1D Ex h IIIB Da	H14

Further dimensions are available on request.



Bringing clean air to life:

**AAF International**  
European Headquarters  
Odenwaldstrasse 4, 64646 Heppenheim  
Tel: +49 (0)6252 69977-0  
aafeurope.com

American Air Filter Company, Inc. has a policy of continuous product improvement. This document is provided for informal review and establishes no commitment or contract. We reserve the right to change any designs, specifications and products without notice, and we make no warranties regarding the subject matter of this document. Any use, copying or distribution of this document or any part of this document without our permission is prohibited.

© 2020 American Air Filter Company, Inc.  
CF\_413\_EN\_072021